

SERVICE ADVISORY

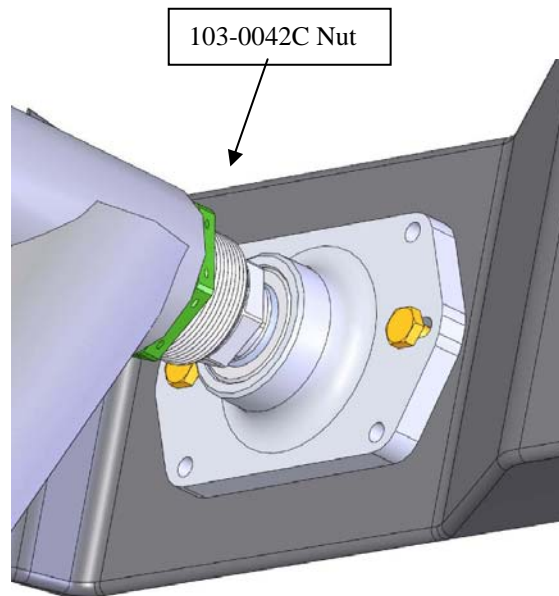
SA016-0030

Subject: Evolution Trunnion Jam Nut

Date: February 27, 2017

Background

Evolution Aircraft Company has recently changed the material and size of the jam nut used on the trunnion pin. It is recommended that you replace this jam nut at your earliest convenience.



Action

- 1) Put the aircraft on jacks.
- 2) Remove the safety wire holding on the nut, loosen the nut and retract the trunnion pin to remove the trunnion.
- 3) Once the trunnion is removed, replace the nut with the new nut (**Call Evolution Aircraft Company, 541-923-2233 to purchase the replacement nut, PN# 103-0042C**).
- 4) Replace the trunnion by inserting the pin into the pillow block, extending the pin until the face of the pin touches the face of the spherical bearing in the pillow block plus $\frac{1}{4}$ turn and no more.
- 5) Torque the lock nut to 100 ft-lbs (1200 in-lbs). Replace the safety wire.
- 6) Repeat for the other main gear.